

TS-M2M-0040v4.0.0
Modbus とのインタワーク

Modbus Interworking

2023 年 3 月 17 日制定

一般社団法人
情報通信技術委員会

THE TELECOMMUNICATION TECHNOLOGY COMMITTEE

本書は、一般社団法人情報通信技術委員会が著作権を保有しています。
内容の一部又は全部を一般社団法人情報通信技術委員会の許諾を得ることなく複製、
転載、改変、転用及びネットワーク上での送信、配布を行うことを禁止します。

Modbus とのインタワーク [Modbus Interworking]

<参考> [Remarks]

1. 英文記述の適用レベル [Application level of English description]

適用レベル [Application level] : E2

本標準の本文、付属資料および付録の文章および図に英文記述を含んでいる。

[English description is included in the text and figures of main body, annexes and appendices.]

2. 国際勧告等の関連 [Relationship with international recommendations and standards]

本標準は、oneM2M で承認された Technical Specification TS-0040-V4.0.0 に準拠している。

[This standard is standardized based on the Technical Specification TS-0040-V4.0.0 approved by oneM2M.]

3. 上記国際勧告等に対する追加項目等 [Departures from international recommendations]

原標準に対する変更項目 [Changes to original standard]

原標準が参照する標準のうち、TTC 標準に置き換える項目。 [Standards referred to in the original standard, which are replaced by TTC standards.]

原標準が参照する標準のうち、それらに準拠した TTC 標準等が制定されている場合は自動的に最新版 TTC 標準等に置き換え参照するものとする。 [Standards referred to in the original standard should be replaced by derived TTC standards.]

4. 工業所有権 [IPR]

本標準に関わる「工業所有権等の実施の権利に係る確認書」の提出状況は、TTC ホームページによる。

[Status of “Confirmation of IPR Licensing Condition” submitted is provided in the TTC web site.]

5. 作成専門委員会 [Working Group]

oneM2M 専門委員会 [oneM2M Working Group]



ONEM2M TECHNICAL SPECIFICATION

Document Number	TS-0040-V4.0.0
Document Name:	Modbus Interworking
Date:	2022-09-29
Abstract:	The present document specifies the oneM2M and Modbus interworking technologies that enable Modbus devices and oneM2M entities produce/consume services. This includes the interworking architecture model that describes where the Modbus Interworking Proxy Entity (IPE) is hosted and how the IPE is composed with. This document describes Modbus services to oneM2M resource mapping structure and rules, followed by describing detailed interworking procedures.

Template Version: January 2017 (Do not modify)

The present document is provided for future development work within oneM2M only. The Partners accept no liability for any use of this present document.

The present document has not been subject to any approval process by the oneM2M Partners Type 1. Published oneM2M specifications and reports for implementation should be obtained via the oneM2M Partners' Publications Offices.

About oneM2M

The purpose and goal of oneM2M is to develop technical specifications which address the need for a common M2M Service Layer that can be readily embedded within various hardware and software, and relied upon to connect the myriad of devices in the field with M2M application servers worldwide.

More information about oneM2M may be found at: <http://www.oneM2M.org>

Copyright Notification

© 2022, oneM2M Partners Type 1 (ARIB, ATIS, CCSA, ETSI, TIA, TSDSI, TTA, TTC).

All rights reserved.

The copyright extends to reproduction in all media.

Notice of Disclaimer & Limitation of Liability

The information provided in this document is directed solely to professionals who have the appropriate degree of experience to understand and interpret its contents in accordance with generally accepted engineering or other professional standards and applicable regulations. No recommendation as to products or vendors is made or should be implied.

NO REPRESENTATION OR WARRANTY IS MADE THAT THE INFORMATION IS TECHNICALLY ACCURATE OR SUFFICIENT OR CONFORMS TO ANY STATUTE, GOVERNMENTAL RULE OR REGULATION, AND FURTHER, NO REPRESENTATION OR WARRANTY IS MADE OF MERCHANTABILITY OR FITNESS FOR ANY PARTICULAR PURPOSE OR AGAINST INFRINGEMENT OF INTELLECTUAL PROPERTY RIGHTS. NO oneM2M PARTNER TYPE 1 SHALL BE LIABLE, BEYOND THE AMOUNT OF ANY SUM RECEIVED IN PAYMENT BY THAT PARTNER FOR THIS DOCUMENT, WITH RESPECT TO ANY CLAIM, AND IN NO EVENT SHALL oneM2M BE LIABLE FOR LOST PROFITS OR OTHER INCIDENTAL OR CONSEQUENTIAL DAMAGES. oneM2M EXPRESSLY ADVISES ANY AND ALL USE OF OR RELIANCE UPON THIS INFORMATION PROVIDED IN THIS DOCUMENT IS AT THE RISK OF THE USER.

Contents

1	Scope	4
2	References	4
2.1	Normative references	4
2.2	Informative references	4
3	Definition of terms, symbols and abbreviations	5
3.1	Terms	5
3.2	Symbols	5
3.3	Abbreviations	5
4	Conventions	5
5	Architecture Model	6
5.1	Reference model	6
5.2	Composition of the IPE	6
6	Architecture Aspects	7
6.1	Introduction	7
6.2	oneM2M resource mapping structure	7
6.2.1	Introduction	7
6.2.2	Mapping Modbus devices into SDT schemas	8
6.2.3	Mapping SDT schemas into oneM2M resources	8
6.3	Modbus IPE registration	9
6.4	Modbus service mapping	10
6.5	Modbus interworking procedures	11
6.5.1	Retrieve data from a Modbus device	11
6.5.2	Write data to a Modbus device	12
Annex A (informative): Introduction to Modbus		14
A.1	Background	14
A.2	Architecture and protocol stack	14
A.3	Key feature	16
A.4	Data model	17
Annex B (informative): Resource mapping examples		18
B.1	Introduction	18
B.2	Example for thermometer device	18
B.2.1	Example for Device model 'deviceThermometer'	18
B.2.2	Example for ModuleClass 'temperature'	19
History		20

1 Scope

The present document specifies the oneM2M and Modbus interworking technologies that enable Modbus devices and oneM2M entities produce/consume services.

Clause 5 defines the interworking architecture model that describes where the Modbus IPE is hosted and how the IPE is composed with.

Clause 6 defines the architecture aspects that mainly describes Modbus services to oneM2M resource mapping structure and rules. Furthermore, this explains the IPE registration and interworking procedures.

2 References

2.1 Normative references

References are either specific (identified by date of publication and/or edition number or version number) or non-specific. For specific references, only the cited version applies. For non-specific references, the latest version of the reference document (including any amendments) applies.

The following referenced documents are necessary for the application of the present document.

- [1] oneM2M TS-0001: "Functional Architecture".
- [2] oneM2M TS-0004: "Service Layer Core Protocol".
- [3] oneM2M TS-0023: "SDT based Information Model and Mapping for Vertical Industries".

2.2 Informative references

References are either specific (identified by date of publication and/or edition number or version number) or non-specific. For specific references, only the cited version applies. For non-specific references, the latest version of the reference document (including any amendments) applies.

The following referenced documents are not necessary for the application of the present document but they assist the user with regard to a particular subject area.

- [i.1] oneM2M Drafting Rules.

NOTE: Available at <http://www.onem2m.org/images/files/oneM2M-Drafting-Rules.pdf>.

- [i.2] Modbus website.

NOTE: Available at <http://www.modbus.org/>.

- [i.3] Modbus-Application-Protocol-V1-1b3, Modbus Organization.

- [i.4] Modbus-Messaging-Implementation-Guide-V1-0b, Modbus Organization.

- [i.5] Modbus-over-serial-line-V1-02, Modbus Organization.

- [i.6] IETF RFC 4180: "Common Format and MIME Type for Comma-Separated Values (CSV) Files".

NOTE: Available at <https://www.ietf.org/rfc/rfc4180.txt#page-1>.

3 Definition of terms, symbols and abbreviations

3.1 Terms

For the purposes of the present document, the following terms apply:

Modbus Master: software running on a computer or a server as a host to access Modbus Slaves by issuing unicast requests

Modbus Slave/Device: peripheral device that provides a Modbus interface and responds by supplying the requested data to the master, or by taking the action requested in the query

3.2 Symbols

Void.

3.3 Abbreviations

For the purposes of the present document, the following abbreviations apply:

AE	Application Entity
CSE	Common Services Entity
CSV	Comma-Separated Values
IPE	Interworking Proxy Entity
SDT	Smart Device Template
ASN/MN	Application Service Node/Middle Node
MN/IN	Middle Node/Infrastructure Node
noDN	Non-oneM2M Device Node
RTU	Remote Terminal Unit
UDP	User Datagram Protocol
PLC	Programmable Logic Controller
I/O	Input/Output
ASCII	American Standard Code for Information Interchange
TCP	Transmission Control Protocol
RTU/IP	Remote Terminal Unit/Internet Protocol
IP	Internet Protocol
MB	Modbus
MBP	Modbus Plus
HDLC	High-level Data Link Control
ADU	Application Data Unit
PDU	Protocol Data Unit
RS	Recommended Standard
MBAP	Modbus Application Protocol
PC	Personal Computer

4 Conventions

The key words "Shall", "Shall not", "May", "Need not", "Should", "Should not" in the present document are to be interpreted as described in the oneM2M Drafting Rules [i.1].

5 Architecture Model

5.1 Reference model

The architecture model followed in the present document is based on the architecture model in oneM2M TS-0001 [1] that describes how interworking between oneM2M CSEs and non-oneM2M systems using specialized Interworking Proxy application Entities (IPEs). The present document describes the Modbus IPE that supports the following reference model.

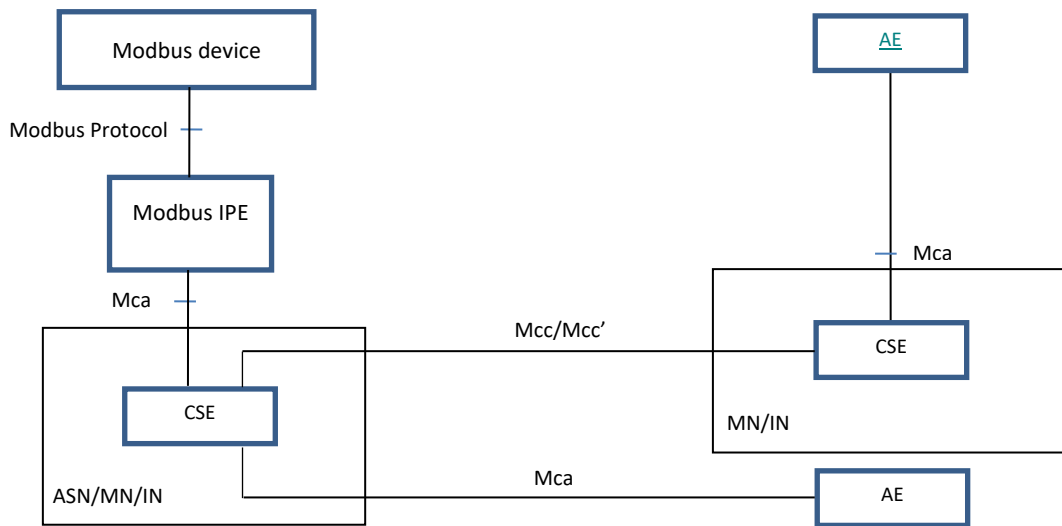


Figure 5.1-1: Modbus interworking reference model

5.2 Composition of the IPE

As shown in Figure 5.2-1, the Modbus IPE consists of AE and Modbus Master [i.2]. To provide the interworking functions to other oneM2M entities, the IPE shall register to a CSE and communicate with Modbus devices using Modbus protocol. The IPE registration is mandatory in oneM2M systems. Modbus discovery and session establishment are needed for the IPE to communicate with other Modbus applications. A single Modbus IPE may expose Modbus functions provided by one or more Modbus devices to the oneM2M System.

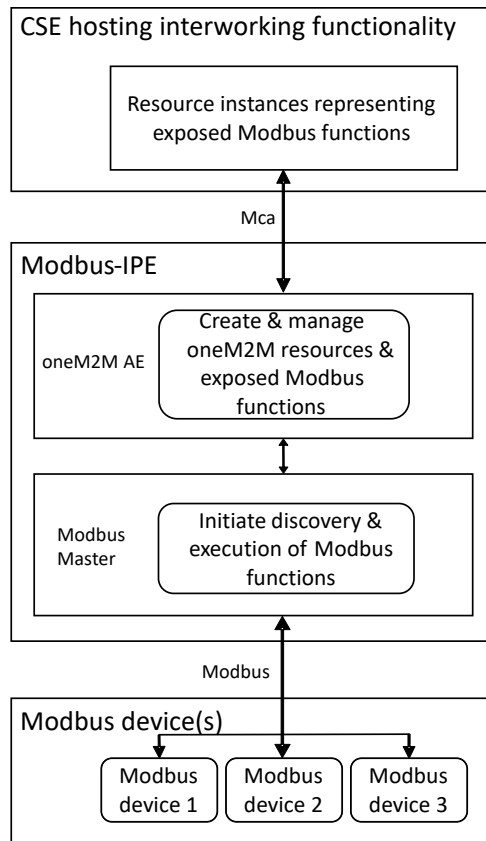


Figure 5.2-1: Composition of Modbus-IPE

6 Architecture Aspects

6.1 Introduction

The present document specifies the functions for Modbus interworking in the following aspects:

- oneM2M resource mapping structure;
- Modbus IPE registration;
- Modbus service mapping;
- Modbus interworking procedures.

6.2 oneM2M resource mapping structure

6.2.1 Introduction

In this clause, the overall resource mapping structure for exposing services between Modbus devices and oneM2M entities is introduced. Firstly, Modbus devices are modelled according to the oneM2M SDT described in oneM2M TS-0023 [3]. The oneM2M SDT offers a generic and flexible modeling structure for describing functionalities of non-oneM2M devices including Modbus devices. After the SDT schemas of the Modbus devices are created, they are mapped to oneM2M resources.

6.2.2 Mapping Modbus devices into SDT schemas

Each Modbus device shall be modelled as a Device component. The Modules of the Device shall be created according to the functionality of the Modbus device as defined in oneM2M TS-0023 [3].

For representing data objects of a Modbus device, the mapping between a Modbus device's registers [i.2], [i.3] and SDT DataPoints is defined. Every Modbus register has the following properties: *slave id*, *register type*, *address*, *length*. The information of these registers is typically provided by a manufacturer in a device's datasheet. Register type and length are used to define the following SDT DataPoint attributes: *DataType*, *writable*, *readable*, and *optional*. The rules to perform the mapping are shown in Table 6.2.2-1. A holding register and input register of length 2 can be mapped into either `xs:integer` or `xs:float` DataType depending on data context. As an example mapping, a coil register can be mapped to a DataPoint with DataType (`xs:boolean`), Readable (True), and Writable (True). The *optional* attribute depends on a Modbus device and application logic and is supposed to be defined by the system integrator.

Table 6.2.2-1: Mapping between Modbus register types and SDT Data points

Modbus Register		Mapping	SDT Data points		
Modbus register type	Length		DataType	Readable	Writable
Coil (1 bit, Read-Write)	1 (1 bit)	→	xs:boolean	True	True
Discrete Input (1 bit, Read-Only)	1 (1 bit)		xs:boolean	True	False
Holding Register (16-bit, Read-Write)	2 (4 bytes)		xs:integer / xs:float	True	True
Input Register (16-bit, Read-Only)	2 (4 bytes)		xs:integer / xs:float	True	False
Holding Register (16-bit, Read-Write)	1 (2 bytes)		xs:integer	True	True
Input Register (16-bit, Read-Only)	1 (2 bytes)		xs:integer	True	False
Holding Register (16-bit, Read-Write)	4 (8 bytes)		xs:double	True	True
Input Register (16-bit, Read-Only)	4 (8 bytes)		xs:double	True	False

6.2.3 Mapping SDT schemas into oneM2M resources

The mapping of all SDT components follows the mapping procedure defined in clause 6.2 of oneM2M TS-0023 [3]. For example, the ModuleClass models shall be mapped to the specializations of `<flexContainer>` resource and their DataPoints to customAttributes of the corresponding `<flexContainer>` specializations. However, the SDT schemas do not consider interworking options with non-oneM2M Device Nodes (noDN) such as Modbus devices. For that reason, a *nodnProperties* attribute shall be added as a customAttribute of a `<flexContainer>` resource specialization which is mapped from an associated ModuleClass model.

The *nodnProperties* attribute stores one-to-one mappings in CSV string format [i.6] between each *customAttribute* of `<flexContainer>` resource specialization and a Modbus register with which it is associated. Each line in the *nodnProperties* shall contain the name of a *customAttribute* and associated Modbus register properties (*slave id*, *register type*, *address*, *length*). The order they are aligned is the following: *customAttribute name*, *slave id*, *register type*, *address*, *length*. The *nodnProperties* shall have one record per line and each property separated by a comma. The header line for this CSV string is mandatory and shall contain the names corresponding to the fields in the string as defined in the section 2.3 of the CSV format specification [i.6]. Table 6.2.3-1 shows the detailed information on the fields of the *nodnProperties* attribute.

An example oneM2M resource schema including *nodnProperties* is provided in Annex B, Figure B.2.2-2.

Table 6.2.3-1: Fields of *nodnProperties* attribute

Field name	Type	Description
customAttribute name	String	Name of customAttribute
slave id	Integer	Slave id of Modbus device
register type	Enumeration	One of 4 register types (see Table 6.2.3-2)
address	Integer	Address of the first register associated with a variable
length	Integer	Number of registers an associated variable occupies

Table 6.2.3-2: Interpretation of register type

Value	Interpretation
1	Coil
2	Discrete input
3	Holding register
4	Input register

6.3 Modbus IPE registration

Figure 6.3-1 shows the device registration call flow:

- 1) The IPE shall request to create an <AE> resource on the Hosting CSE to register the Modbus master collocated on the IPE.
- 2) The Hosting CSE shall evaluate the request, performs the appropriate checks, and creates the <AE> resource. The Hosting CSE shall respond with the successful result of <AE> resource creation, otherwise it responds with an error.
- 3) Modbus devices are registered at Modbus IPE, in particular Modbus interworking information (slave id, registers type, address, length) are defined in accordance with provided device datasheet.
- 4) Modbus IPE shall send corresponding requests to a CSE to create resources which were from SDT schemas as described in clause 6.2.3. For all <flexContainer> resources, the *containerDefinition* attribute is mandatory. The *contentSize* attribute is calculated by the Hosting CSE. The *customAttributes* of the <flexContainer> resources should be specified if they are mandatory for that <flexContainer>. Each resource creation is originated by the Modbus-IPE in a separate request for each resource.
- 5) After verifying the privileges and the given attributes, the Hosting CSE shall create each resource.
- 6) The Hosting CSE shall respond with the successful result for each created resource, otherwise it shall respond with an error.

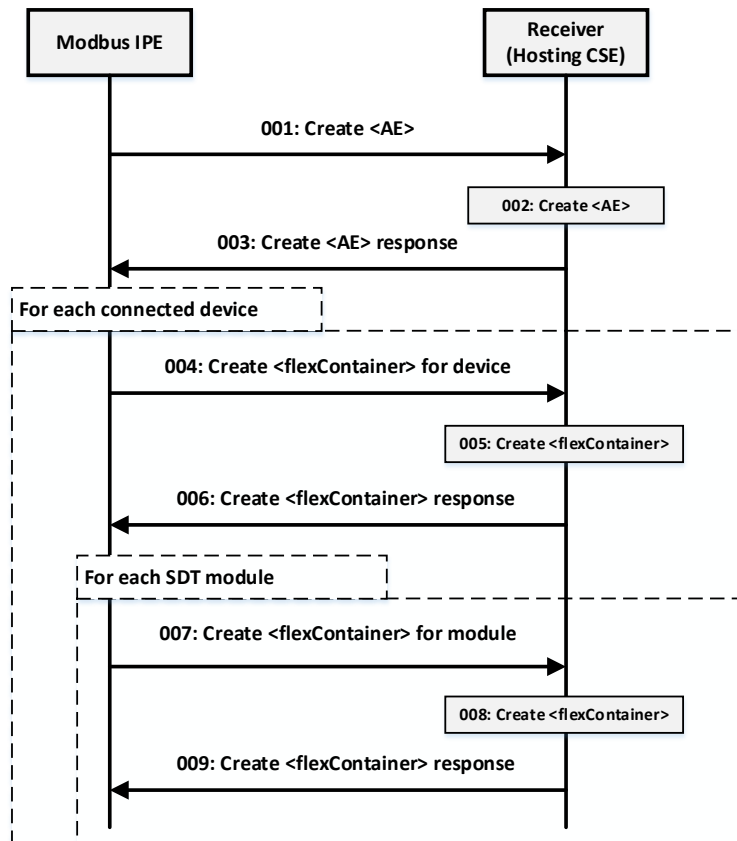


Figure 6.3-1: Device registration call flow

6.4 Modbus service mapping

The Modbus devices can accept either read or write requests from the Master. The operation to be executed is identified from the function code of a Modbus message. Therefore, the IPE needs to be able to map the oneM2M messages to Modbus messages with the appropriate function code. The function code is identified from register type of the register to be read for the read requests and from a tuple of register type and number of registers to be written (length) for the write requests.

For the read requests, the IPE shall map the register type of the register to be read to the function code according to Table 6.4-1. For the write requests, the IPE shall map the tuple of register type and the number of registers to be written (length) to the function code according to Table 6.4-2. Both the register type and the length along with other Modbus data needed to construct the Modbus message can be retrieved from the *nodnProperties customAttribute* of a *<flexContainer>* specialization derived from a *ModuleClass*.

Table 6.4-1: Register type to function code mapping for Modbus read request

Register type	Function code
Coil	01
Discrete input	02
Holding register	03
Input register	04

Table 6.4-2: Register type and length to function code mapping for Modbus write request

Register type	Length > 1	Function code
Coil	false	05
Coil	true	0F
Holding register	false	06
Holding register	true	10

6.5 Modbus interworking procedures

6.5.1 Retrieve data from a Modbus device

Suppose a scenario when current readings of a Modbus device need to be displayed at an AE application and Modbus-IPE continuously monitors a Modbus device and uploads that data to a CSE hosted on a server in the network. Initially, the AE shall be subscribed to the *<flexContainer>* resource, which is a specialization of some SDT module for a Modbus device, using a *<subscription>* resource (*notificationEventType A*, see clause 9.6.8 in oneM2M TS-0001 [1]). The following steps described in Figure 6.5.1-1 shall be performed for this scenario:

- 1) The Modbus IPE shall send a retrieve *<flexContainer>* request to the hosting CSE. This *<flexContainer>* resource is a specialization of some Modbus module and contains *nodnProperties* attribute.
- 2) The Hosting CSE shall respond to the retrieve request with *<flexContainer>* data that includes *nodnProperties*.
- 3) The Modbus IPE shall use information stored in *nodnProperties* to compose Modbus read request. The function code can be identified from a register type as in Table 6.4-1. Slave id, address and length should be written in corresponding message fields. After the Modbus message is composed, the Modbus IPE sends this message to Modbus device.
- 4) The Modbus device responds with requested data.
- 5) The Modbus IPE shall send an update *<flexContainer>* request (see clause 7.4.37.2.3 in oneM2M TS-0004 [2]). The request body specifies the *customAttributes* to be updated and their new values read from Modbus device.
- 6) After verifying the privileges and the given attributes, the hosting CSE shall update *<flexContainer>* resource.
- 7) The hosting CSE shall respond with updated *<flexContainer>* data after successful update to the Modbus IPE, otherwise it responds with an error.
- 8) The hosting CSE shall send a notification for *<flexContainer>* resource update to the AE (see clause 7.5.1.2.2 in oneM2M TS-0004 [2]).
- 9) The AE sends a confirmation message about notification receiving to the hosting CSE (see clause 7.5.1.2.2 in oneM2M TS-0004 [2]).

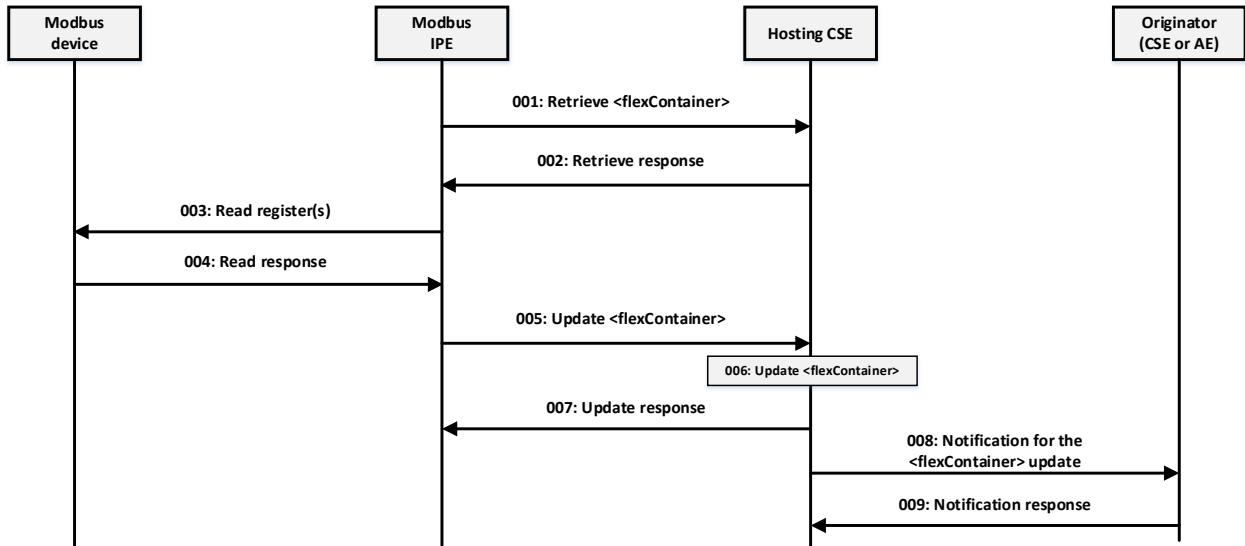


Figure 6.5.1-1: Modbus Slave Device monitoring call flow

6.5.2 Write data to a Modbus device

Suppose a scenario when it is required to update some value in a Modbus device through an AE application registered to a CSE. Initially, the Modbus IPE shall be subscribed to the *<flexContainer>* resource, which is a specialization of some SDT module for a Modbus device, using a blocking type of *<subscription>* resource (*notificationEventType G*, see clause 9.6.8 in oneM2M TS-0001 [1]). The following steps described in Figure 6.5.2-1 shall be performed for this scenario:

- 1) In order to write data to a Modbus device from the AE, the AE sends a request to update specified customAttributes of the *<flexContainer>* resource which map to the Modbus Device (see clause 7.4.37.2.3 in oneM2M TS-0004 [2]).
- 2) After verifying the privileges and the given attributes, the hosting CSE shall send a notification for the received write request to the Modbus IPE (notification shall include *nodnProperties*) and temporarily blocks the *<flexContainer>* resource for any UPDATE operations (see clause 7.5.1.2.2 in oneM2M TS-0004 [2]).
- 3) The Modbus IPE shall use information stored in *nodnProperties* to compose Modbus write request. The function code to be used can be identified from a register type and length as in Table 6.4-2. Slave id, address, and length should be written in corresponding message fields. After the Modbus message is composed the Modbus IPE shall send this message to Modbus device.
- 4) The Modbus device responds with written data to the Modbus IPE.
- 5) The Modbus IPE shall respond to the hosting CSE with successful device update message, otherwise respond with an error (see clause 7.5.1.2.2 in oneM2M TS-0004 [2]).
- 6) If the device was updated successfully, the hosting CSE shall update the *<flexContainer>* resource internally, otherwise discard the changes. The resource is unlocked for UPDATE operations.
- 7) The hosting CSE shall respond to the AE with the result of the UPDATE request.

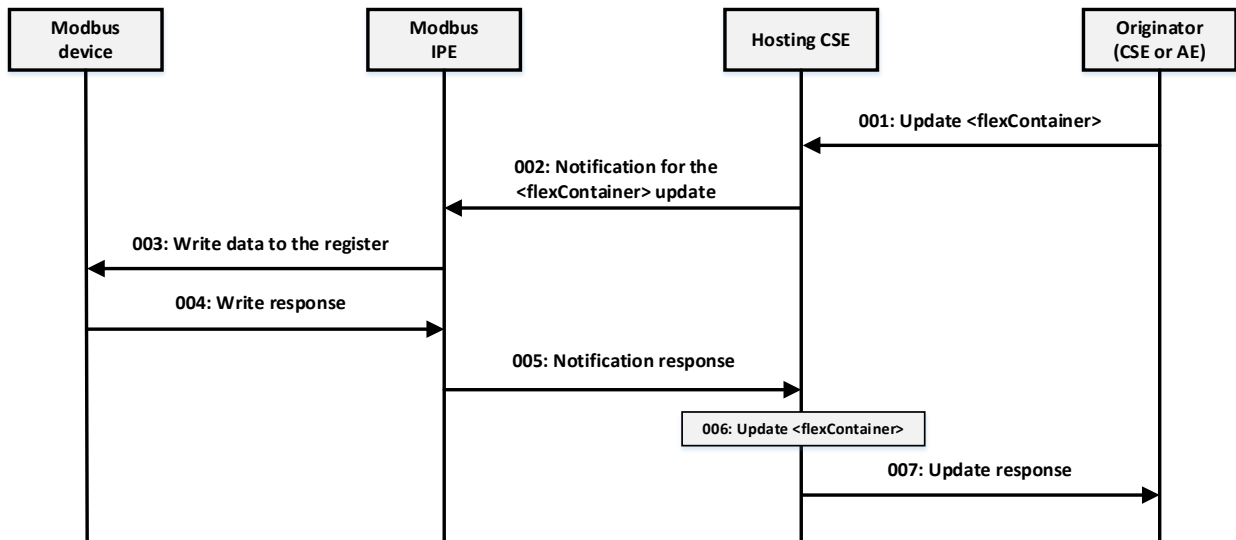


Figure 6.5.2-1: Writing to a Modbus Slave Device call flow

Annex A (informative): Introduction to Modbus

A.1 Background

Modbus was first introduced by Modicon® (now part of Schneider Electric®) for process control systems. It is used to establish master-slave/client-server communication between intelligent devices and sensors and instruments. It is a de facto standard, truly open and the most widely used network protocol in the industrial manufacturing environment.

Modbus is easy to deploy and maintain and is used across a wide range of industries. It is also an ideal protocol for Remote Terminal Unit (RTU) applications where wireless communication is required. Modbus is not only an industrial protocol. Building, infrastructure, transportation and energy applications also make use of its benefits.

Originally, Modbus was implemented as an application level protocol intended to transfer data over serial port, it has expanded to include implementations over serial, TCP/IP, and UDP. Today, it is a common protocol used by countless devices for simple, reliable, and efficient communication across a variety of networks. Modbus was designed as a request-response protocol with a flexible data and function model that are part of the reason it is still in use today. In addition, support for the simple and elegant structure of Modbus continues to grow [i.4].

A.2 Architecture and protocol stack

The Modbus protocol follows a master and slave architecture where a master transmits a request to a slave and waits for the response (as shown in Figure A.2-1). This architecture gives the master full control over the flow of information, which has benefits on older multidrop serial networks. Even on modern TCP/IP networks, it gives the master a high degree of control over slave behavior, which is helpful in some designs.

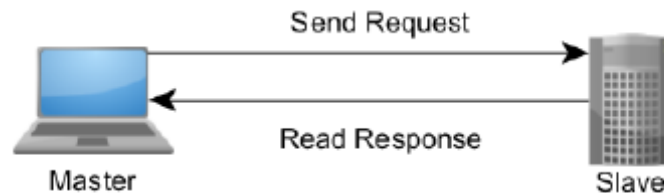


Figure A.2-1: The Master-Slave, Request-Response Relationship of Modbus device

The Modbus protocol allows an easy communication within all types of networks (as shown in Figure A.2-2). Every type of devices (such as PLC, Driver, Motion control, I/O Device, etc.) can use Modbus protocol to initiate a remote operation.

The same communication can be done as well on serial line as on an Ethernet TCP/IP network. Gateways allow a communication between several types of buses or network using the Modbus protocol [i.5].

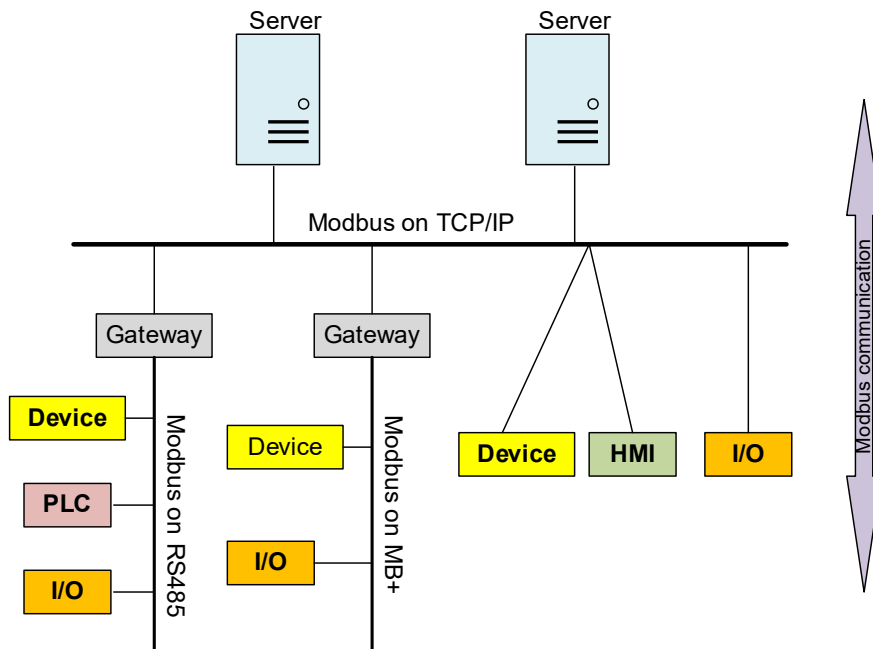


Figure A.2-2: Modbus Network Architecture

There are many variants of Modbus protocols:

- Modbus RTU - This is used in serial communication & makes use of a compact, binary representation of the data for protocol communication. Modbus RTU is the most common implementation available for Modbus. A Modbus RTU message is transmitted continuously without inter-character hesitations.
- Modbus ASCII - This is used in serial communication and makes use of ASCII characters for protocol communication.
- Modbus TCP/IP or Modbus TCP - This is a Modbus variant used for communications over TCP/IP networks. It does not require a checksum calculation as lower layers already provide checksum protection.
- Modbus over TCP/IP or Modbus over TCP or Modbus RTU/IP - This is a Modbus variant that differs from Modbus TCP in that a checksum is included in the payload as with Modbus RTU.
- Modbus over UDP - Some have experimented with using Modbus over UDP on IP networks, which removes the overheads required for TCP.
- Modbus Plus (Modbus+, MB+ or MBP) - Modbus Plus is proprietary to Schneider Electric® and unlike the other variants, it supports peer-to-peer communications between multiple masters. It requires a dedicated co-processor to handle fast HDLC-like token rotation. It uses twisted pair at 1 Mbit/s and includes transformer isolation at each node, which makes it transition/edge triggered instead of voltage/level triggered.

At present, Modbus TCP is more efficient networking through the use of dedicated connections and identifiers for each request and response. Modbus RTU and Modbus ASCII are older serial ADU formats with the primary difference between the two being that RTU uses a compact binary representation while ASCII sends all requests as streams of ASCII characters.

The Modbus protocol defines a simple Protocol Data Unit (PDU) independent of the underlying communication layers. The mapping of Modbus protocol on specific buses or network can introduce some additional fields on the Application Data Unit (ADU). The Modbus frame is as shown in Figure A.2-3.

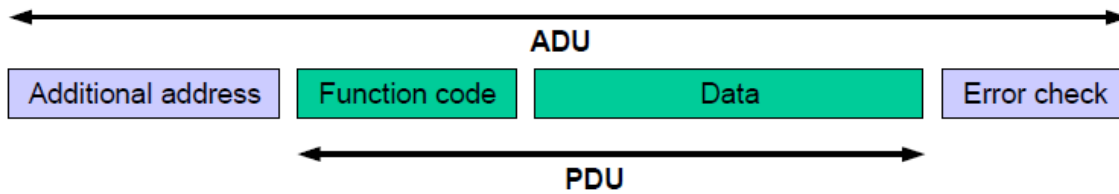


Figure A.2-3: Modbus Frame

A Modbus frame or Modbus Application Data Unit (ADU) consists of the following:

- Additional address field: A field containing additional addresses used by the underlying communication protocol. It is 1 byte slave address over serial links (such as RS 232, RS 485). For Modbus TCP, it is called Modbus Application Protocol (MBAP) Header that include transaction identifier, protocol identifier, length and unit identifier.
- Modbus PDU: It is independent of underlying communication layer and consists of two parts: 1) 1-byte Function code to indicate identity of the requested service, 2) Variable length data field containing payload of the requested service. There are three types of Modbus PDUs: Modbus Request, Modbus Response and Modbus Exception.
- An optional error check field. Modbus TCP is not needed.

A.3 Key feature

There are many devices and gateways that support Modbus, as it is a very simple protocol and convenient to transmit and understand. Specially, Modbus TCP/IP simply takes the Modbus instruction set and wraps TCP/IP around it. Development costs are exceptionally low. Minimum hardware is required, and development is easy under any operating system. The following are key features of Modbus:

- **Communication mode**
Modbus uses master-slave/client-server communication mode, Master issues a unicast request and slave responds to that. In serial and MB+ networks, only the node assigned as the Master may initiate a command. On Ethernet, any device can send out a Modbus command, although usually only one master device does so. Modbus also supports broadcast mode where master's request is sent to all the slaves but no slave responds to broadcast request.
- **Data model**
Modbus manages the access of data simply and flexibly. Modbus data are divided into four ranges, they are that these types of data can be provided/alterable by I/O system or an application program. In most cases, slaves store each type of data that it supports in separate memory, and limits the number of data elements that a master can access.
- **Function code**
There are three categories of Modbus Function codes, including Public Function codes, User-Defined Function codes and Reserved Function codes. Public Function codes can satisfy common operations, such as accessing data in device by reading and writing data model, and simply diagnosing device. Function code is flexibility that user can select and implement a function code by self-defining User-Defined Function codes according to service requirements.
- **Availability of many devices**
Interoperability among different vendors' devices and compatibility with a large installed base of Modbus-compatible devices makes Modbus an excellent choice.

A.4 Data model

The Modbus standard defines bit-addressable and 16-bit word addressable input and output data items. Modbus bases its data model on a series of tables that have distinguishing characteristics. The four primary tables for data model are as following.

Table A.4-1: Modbus data model table

Primary tables	Object type	Type of access	Comments
Discretes Input	Single bit	Read-Only	This type of data can be provided by an I/O system, e.g. read the status of switch
Coils	Single bit	Read-Write	This type of data can be alterable by an application program, e.g. switch on a transducer
Input Registers	16-bit word	Read-Only	This type of data can be provided by an I/O system, e.g. read temperature on a sensor
Holding Registers	16-bit word	Read-Write	This type of data can be alterable by an application, e.g. set value to a controller

There are two ways of organizing the data in device. Each device can have its own organization of the data according to its application. Figure A.4-1 below shows an example for data organization in a device having digital and analog, inputs and outputs. Data block (device application memory) is accessible with different Modbus functions, such as read coils, write holding registers. All the data elements handled via Modbus can be located in device application memory by reference numbers from 1 to n. The pre-mapping between the Modbus data model and the device application is totally vendor device specific.

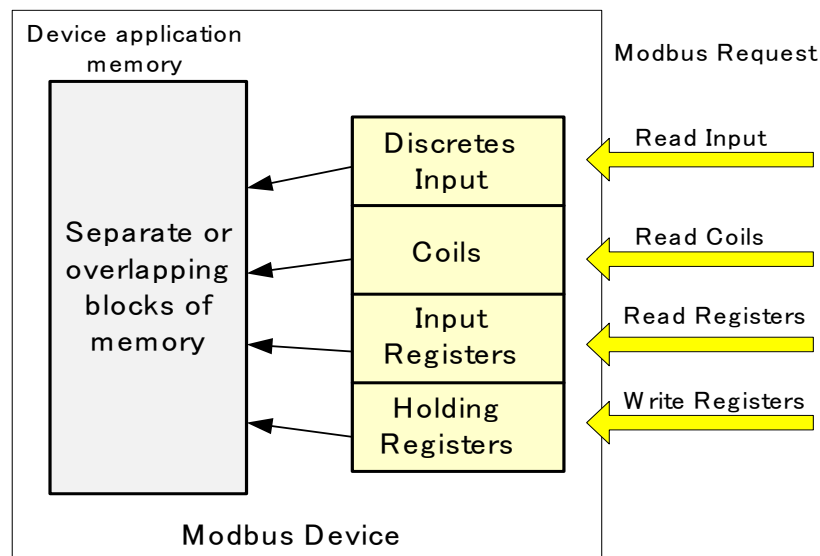


Figure A.4-1: Implementation example of Modbus data model

Annex B (informative): Resource mapping examples

B.1 Introduction

The IPE constructs oneM2M resource tree on hosting CSE from the SDT schemas derived from the set of functionalities of Modbus devices.

The present clause gives an example of how to use the oneM2M resource tree to represent a Modbus device (i.e. Thermometer).

The next clause explains the creation process for an arbitrary thermometer device that communicates over Modbus. As the Modbus devices are firstly represented by SDT models, the SDT definition of the thermometer device described in clause 5.5.45 of oneM2M TS-0023 [3] will be considered.

B.2 Example for thermometer device

B.2.1 Example for Device model 'deviceThermometer'

Mapping of the SDT Device model to oneM2M resources is performed according to the general mapping procedure described in clause 6.2.2 of oneM2M TS-0023 [3]. Figure B.2.1-1 shows an example of the [*deviceThermometer*], which is modelled as a <flexContainer> resource specialization derived from the corresponding SDT Device component.

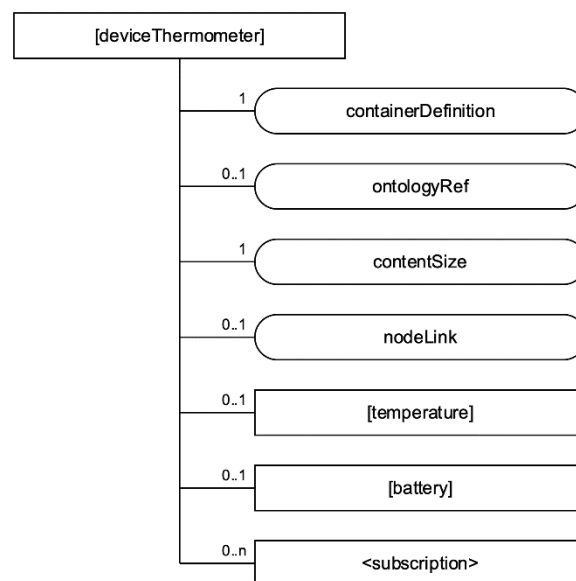


Figure B.2.1-1: Structure of [*deviceThermometer*] resource

B.2.2 Example for ModuleClass 'temperature'

The SDT model of the 'temperature' ModuleClass is described in the clause 5.3.76 of oneM2M TS-0023 [3]. Assume the DataPoints of the 'temperature' ModuleClass are created according to the mapping rule described in clause 6.2.2.

Mapping of the SDT ModuleClass model to oneM2M resources is performed according to the general mapping procedure described in clause 6.2.3 of oneM2M TS-0023 [3]. The 'temperature' ModuleClass is mapped into *[temperature]*, a *<flexContainer>* resource specialization, and its data points are mapped into customAttributes of that *<flexContainer>* resource specialization; and *nodnProperties* customAttribute is added the *[temperature]* as described in clause 6.2.3. Figure B.2.2-1 shows the structure of *[temperature]*.

The example contents of *nodnProperties* are shown on Figure B.2.2-2.

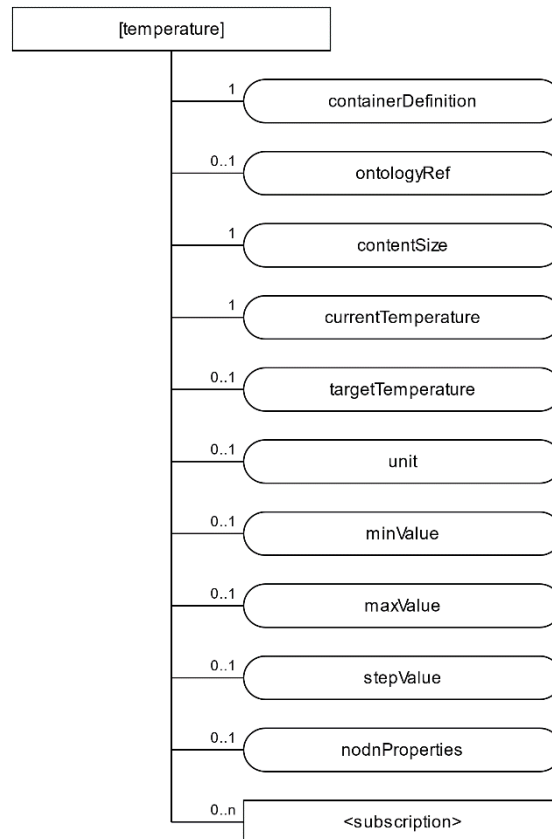


Figure B.2.2-1: Structure of *[temperature]* resource

```
"currentTemperature",1,4,23,2
"targetTemperature",1,3,25,2
"unit",1,4,27,2
"minValue",1,4,29,2
"maxValue",1,4,31,2
"stepValue",1,4,33,2
```

Figure B.2.2-2: Example contents of *nodnProperties*

History

Publication history		
V0.0.1	February 2020	TS skeleton
V0.1.0	July 2020	Incorporate agreed contribution at SDS #46: - SDS-2020-0210R02
V0.1.0	September 2022	Partners pre-processing done by <i>editHelp!</i> e-mail: mailto:edithelp@etsi.org